

# ***Kool Koat***<sup>®</sup> ***KOOL KURE***<sup>®</sup> OVEN & BOOTH SYSTEMS



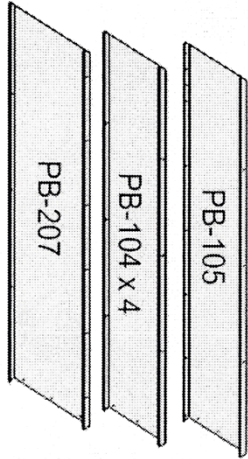
Visit our website at [www.ColumbiaCoatings.com](http://www.ColumbiaCoatings.com)  
For Technical support or to order replacement parts call  
1-931-388-7730  
1173 Industrial Park Rd  
Columbia, TN 38401

Copyright © 2009. All rights reserved. No portion of this manual or any of the artwork contained in the manual may be reproduced in any way shape or form without expressed written consent. All brands are registered trademarks of their respective owners

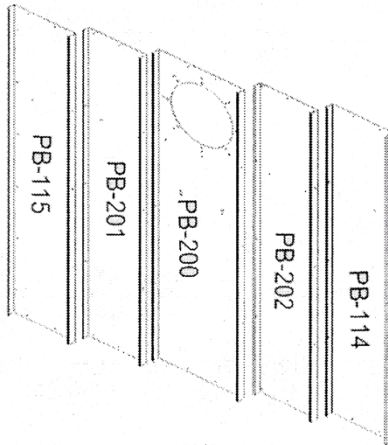
# PARTS DESCRIPTION

## Wall Panels

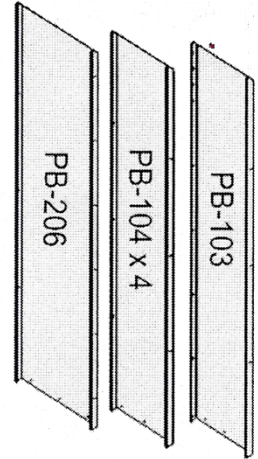
Left Wall: 6 Panels



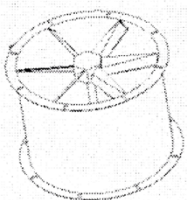
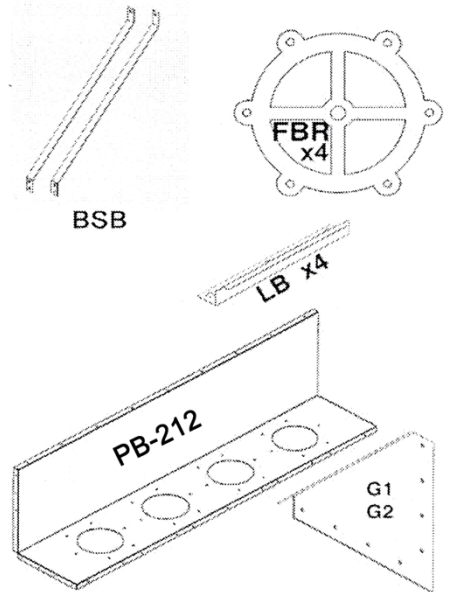
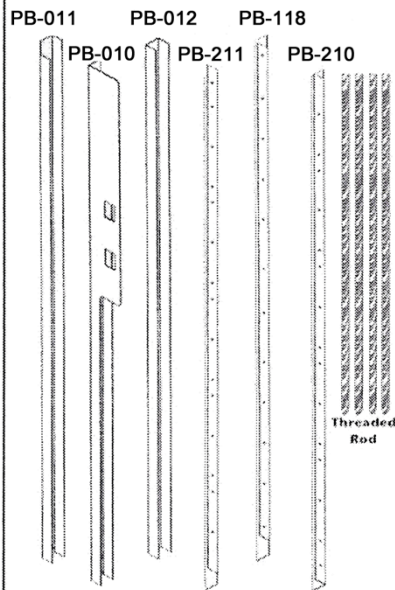
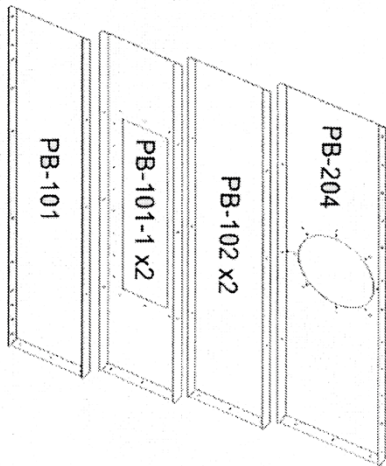
Back Wall: 5 Panels



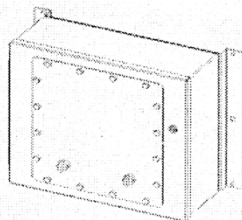
Right Wall: 6 Panels



## Ceiling Panels

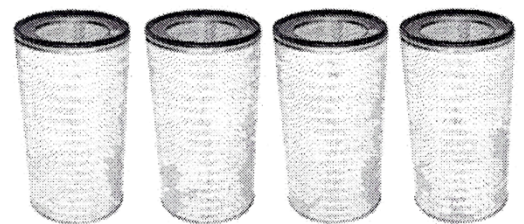
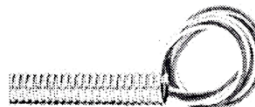


18" BLOWER



CONTROL BOX

Bolt Packet  
**A**



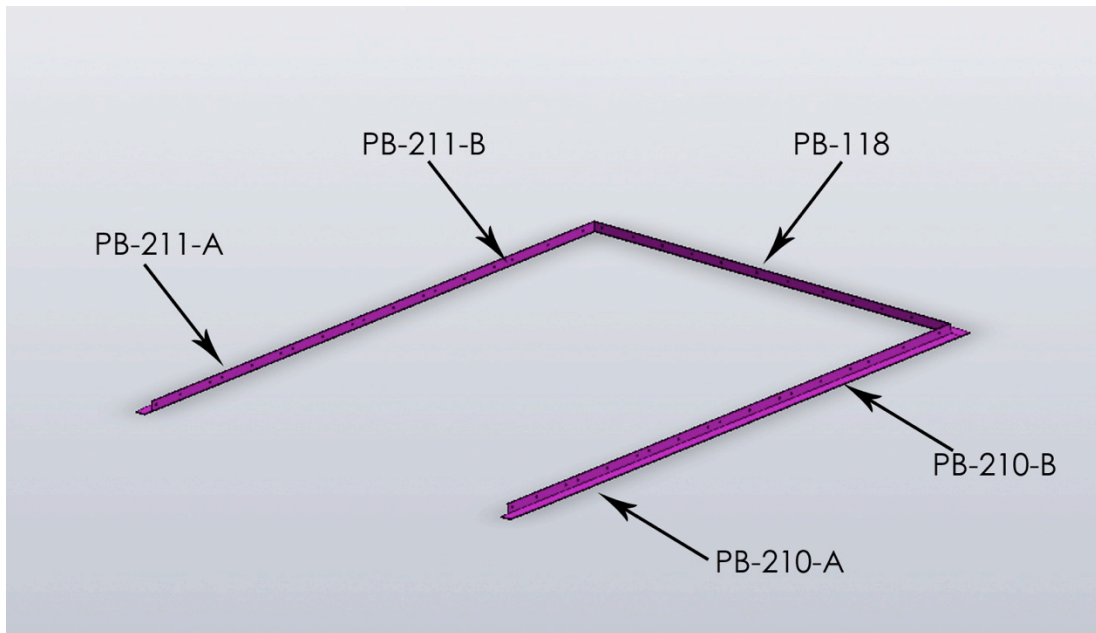


## PARTS CHECKLIST

1	PB-010	Channel (FRONT R/H) 12 GA
1	PB-011	Channel (FRONT L/H) 12 GA
1	PB-012	Channel (Front Top)
2	PB-013	GUSSET (CORNER) 12 GA
4	PB-024	FILTER HOLDER RING ¼" CR STEEL
1	PB-101	Roof Panel (FRONT)
2	PB-101-1	Roof Panel (LIGHT)
2	PB-102	Roof Panel
1	PB-103	Side Panel (Front R/H)
8	PB-104	Side Panel
1	PB-105	Side Panel (Front L/H)
1	PB-114	Rear Panel (R/H)
1	PB-115	Rear Panel (L/H)
1	PB-118	Base Angle Rear
4	PB-121	Light Holder (Long)
4	PB-122	Light Holder (Short)
1	PB-200	Rear Panel (Center)
1	PB-201	Rear Panel (R/H of Center)
1	PB-202	Rear Panel (Rear L/H)
1	PB-204	Roof Panel (Fan Hole)
1	PB-205	Fan Block-off Plate
1	PB-212	Air Duct
1	PB-210-A	Base Angle (Front R/H)
1	PB-210-B	Base Angle (Rear R/H)
1	PB-211-A	Base Angle (Front L/H)
1	PB-211-B	Base Angle (Rear L/H)
2	PB-80	Fan Support Bracket
1	PB-206	Side Panel (R/H Rear)
1	PB-207	Side Panel (L/H Rear)
1	BO-070-B	Control Box
4	PB-121	Light Holder (Long)
4	PB-122	Light Holder (Short)

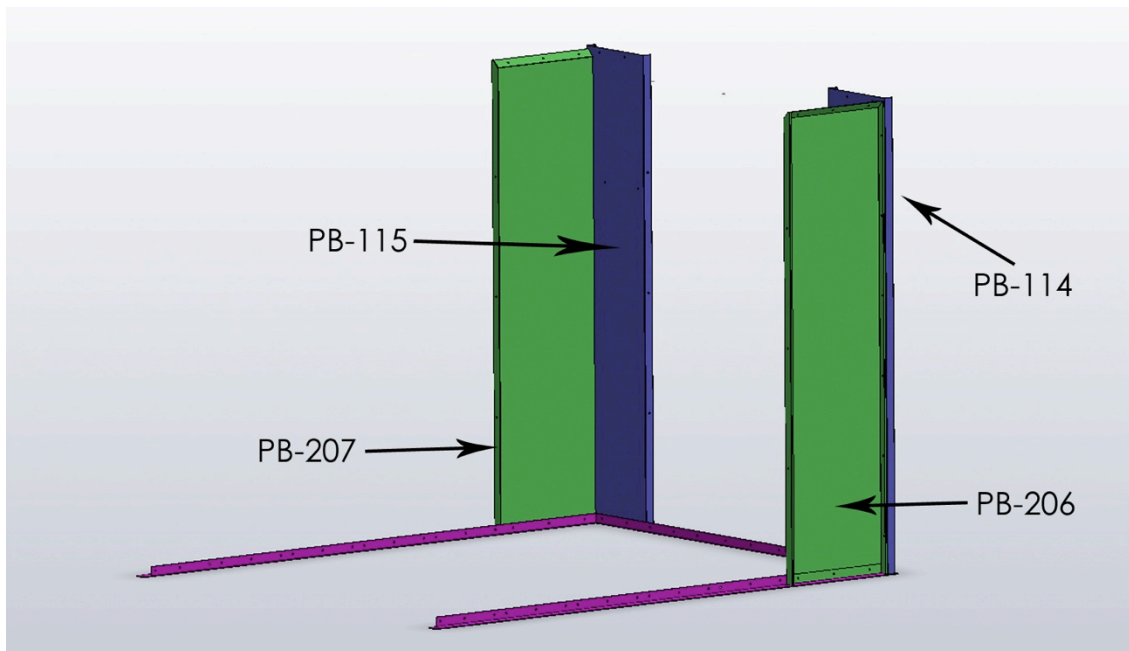
## STEP 1: ASSEMBLING THE BASE ANGLE FRAME

Begin by assembling the base angle for the booth. Using included bolts, attach PB-210-A and PB-210-B. Repeat for PB-211-A and PB-211-B and then attach to PB-118.



## STEP 2: ASSEMBLING THE CORNER PANELS

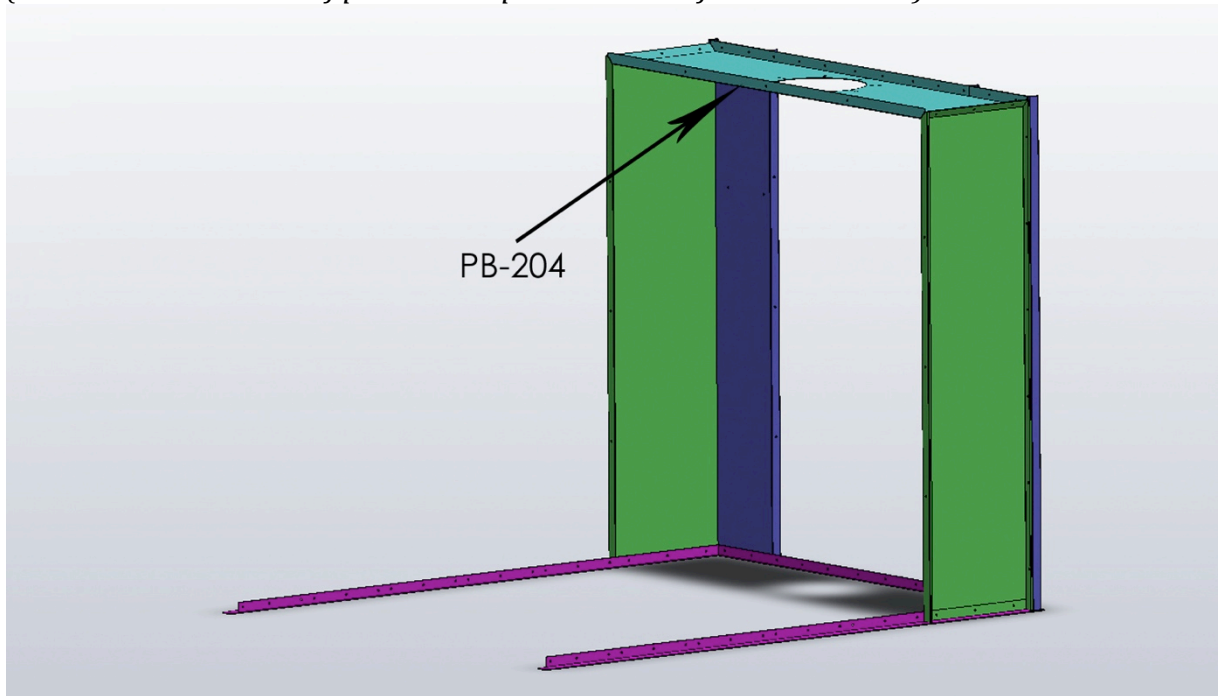
Next, attach side panel PB-207 to rear panel PB-115 and secure to assembled base angle with included bolts. Repeat for right side parts PB-206 to PB-114.





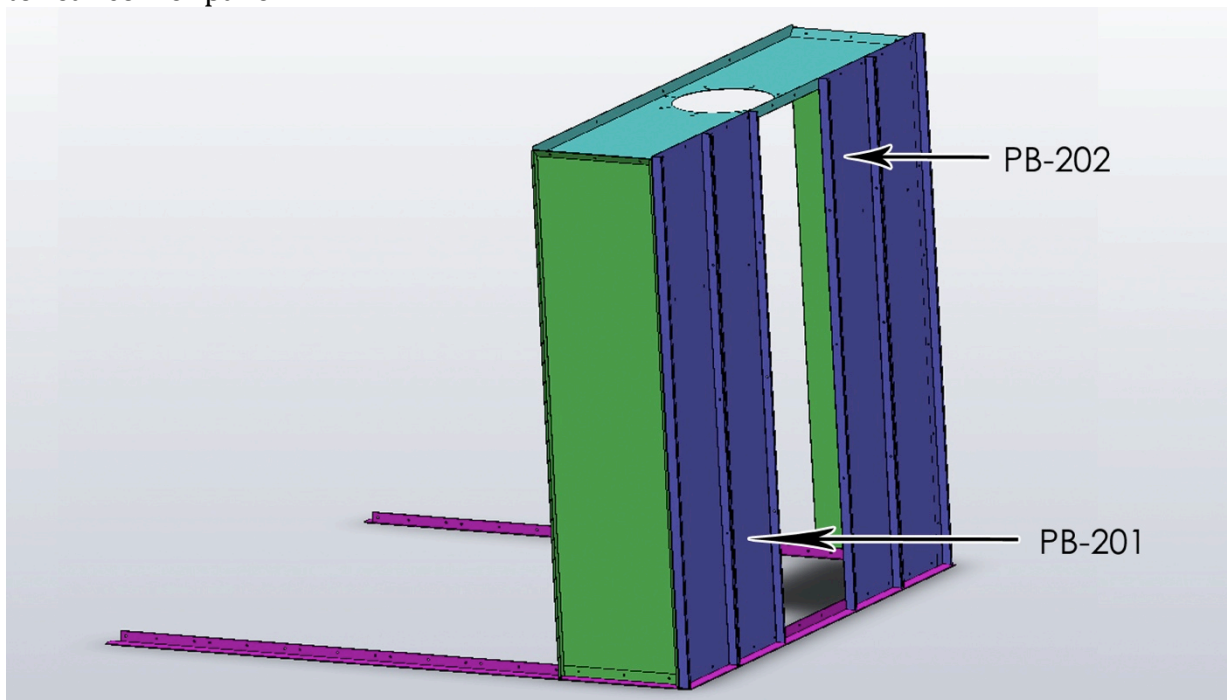
### STEP 3: MOUNTING THE FIRST ROOF PANEL

Next, attach roof panel PB-204 to the side and rear panels that you assembled in step 2 using included bolts. At this point, the booth parts should stand on their own. *(NOTE: Part PB-204 roof panel is the panel with the fan hole cut out.)*



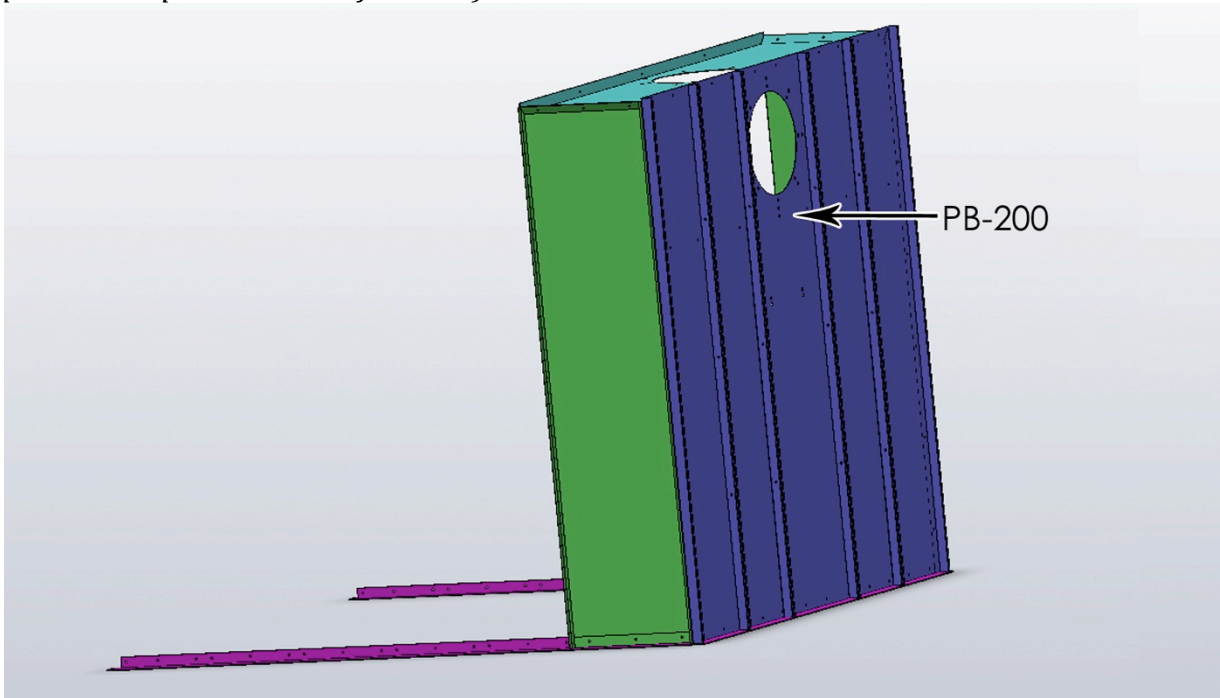
### STEP 4: MOUNTING THE REAR PANELS

Now attach rear panels PB-202 to rear corner panel PB-115 and rear panel PB-201 to rear corner panel PB-114.



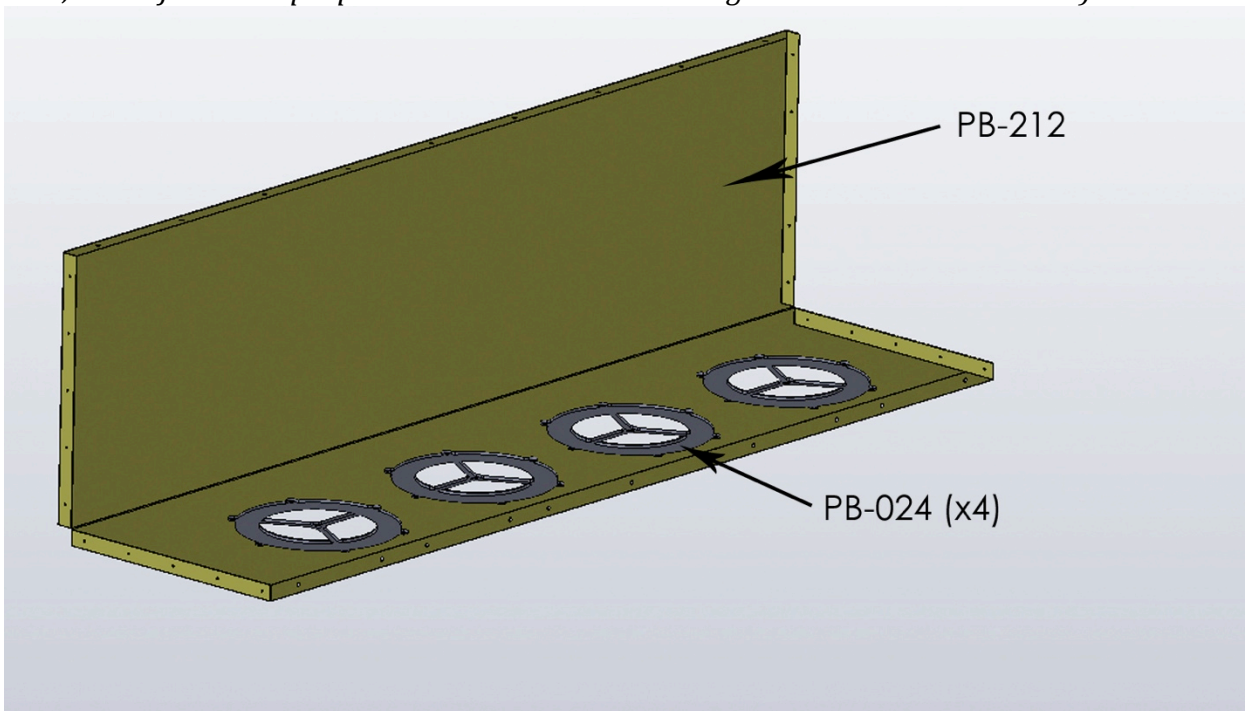
### STEP 5: MOUNTING THE CENTER REAR PANEL

Attach rear center panel PB-200 to panels PB-201 and PB-202. (*NOTE: Rear center panel is the panel with the fan hole.*)



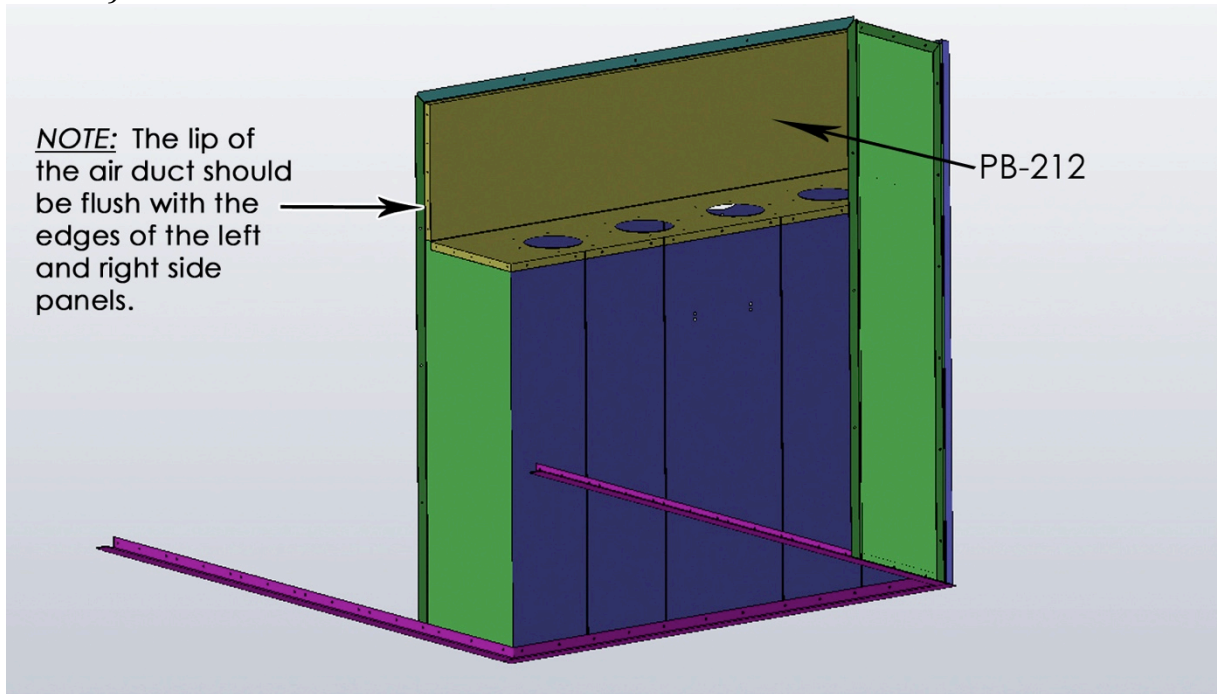
### STEP 6: PREPARING THE AIR DUCT

Mount the four (4) filter holder rings PB-024 to the **INSIDE** of the air duct PB-212 using supplied bolts. (*NOTE: Illustration appears to be mounted on the outside of air duct, this is for visual purposes ONLY! Filter holder rings are mounted to INSIDE!*)



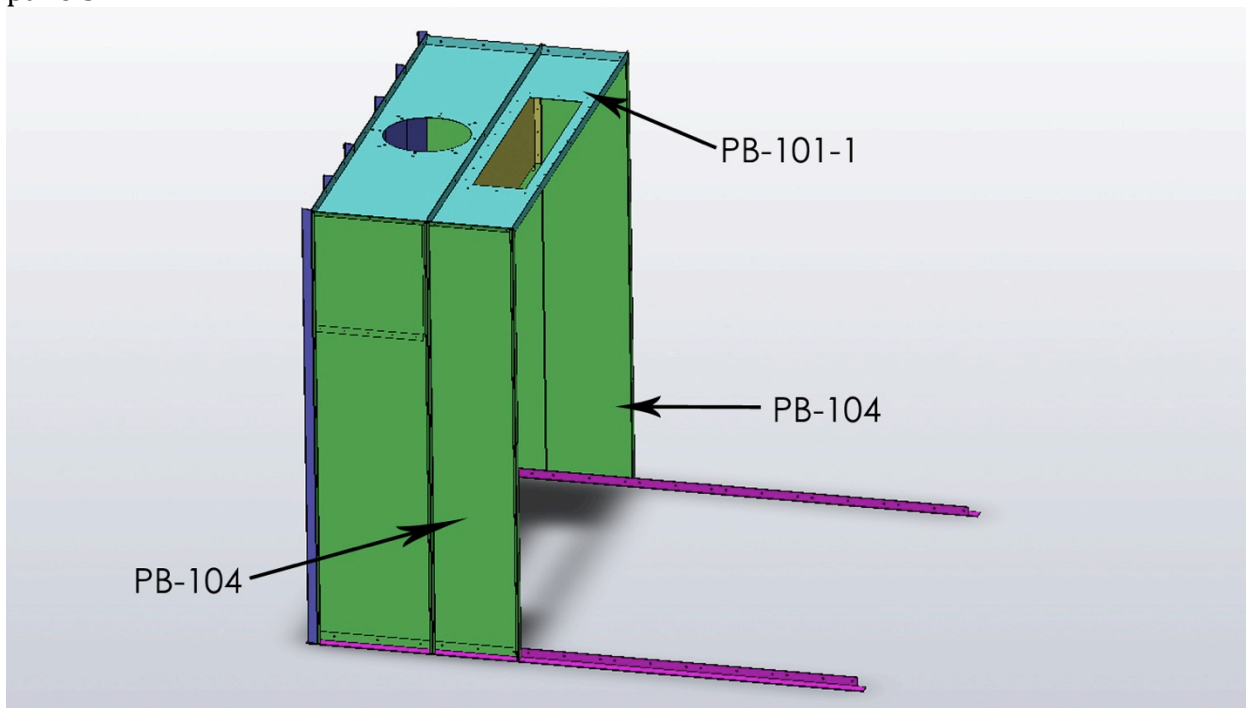
## STEP 7: MOUNTING THE AIR DUCT TO THE BOOTH

Now that you have the four filter holder rings attached and secured to the air duct PB-212, you will now mount the air duct PB-212 to the booth using supplied bolts. **Please use at least 2 people when mounting the air duct to the booth.** (NOTE: The lip of the air duct should be FLUSH with the edges of the side panels PB-206 and PB-207.)



## STEP 8: ASSEMBLING THE SIDE AND ROOF PANELS

Now attach the side panels PB-104 and roof light panel PB-101-1 to the existing panels.





## STEP 9: CONTINUE ASSEMBLING SIDE AND ROOF PANELS

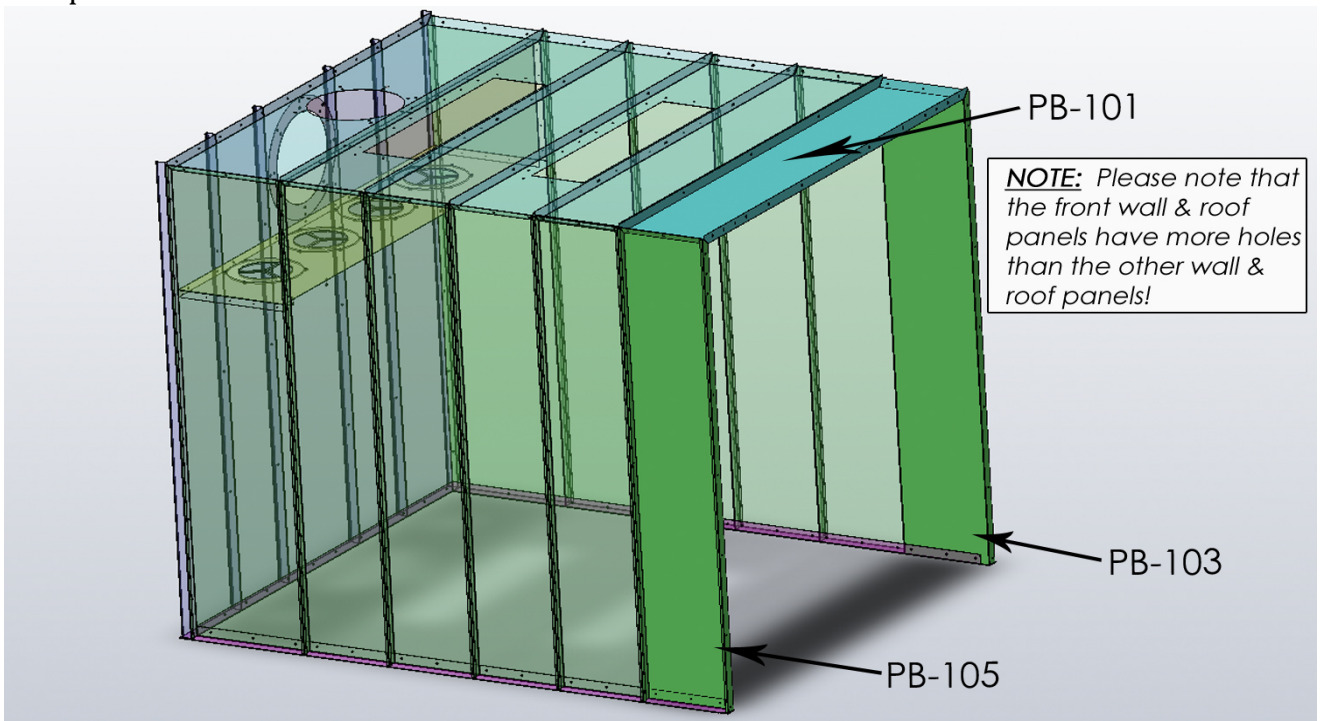
Continue attaching left panel PB-104, right panel PB-104 and roof panels PB-102 until entire roof and walls are assembled. Be sure to install **solid** roof panels PB-102 between **lighted** roof panels PB-101-1. Refer to illustration.

*(NOTE: DO NOT USE THE FRONT PANELS [PB-103, PB-105, PB-101]! THOSE WILL BE USED IN STEP 10.)*



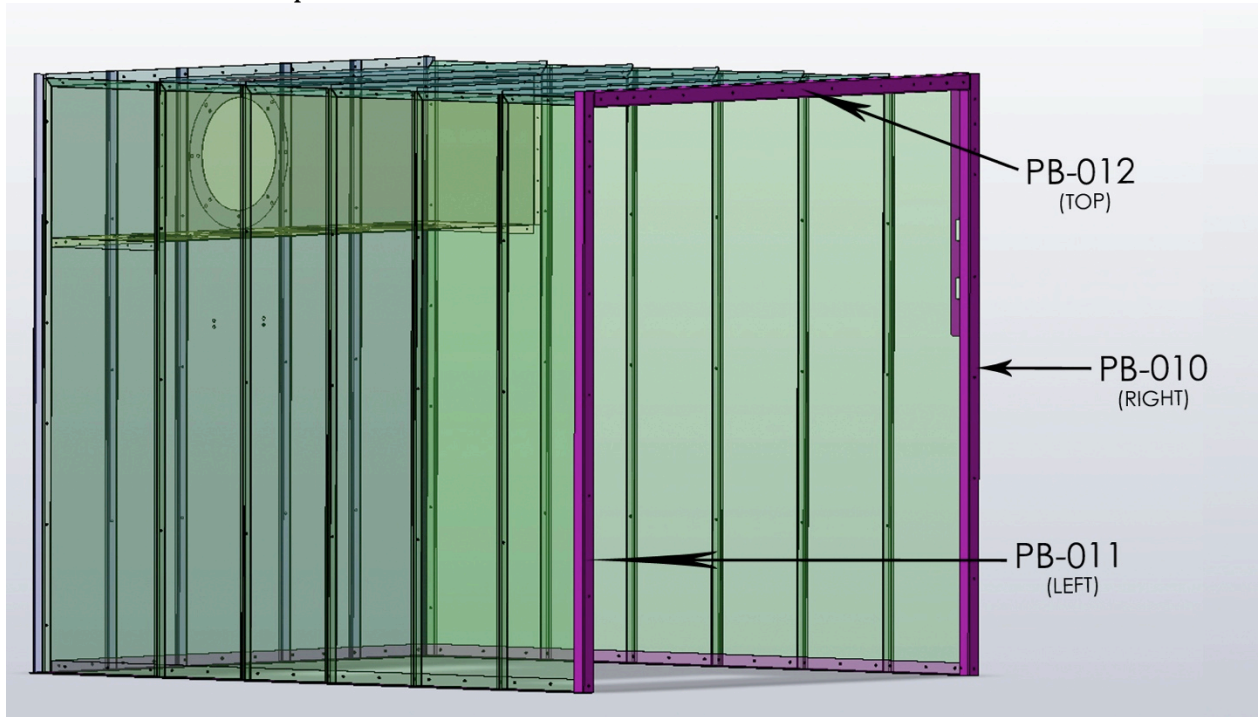
## STEP 10: INSTALLING THE FRONT WALL PANELS

Now attach wall panels PB-103 & PB-105 and roof panel PB-101 to existing wall & roof panels.



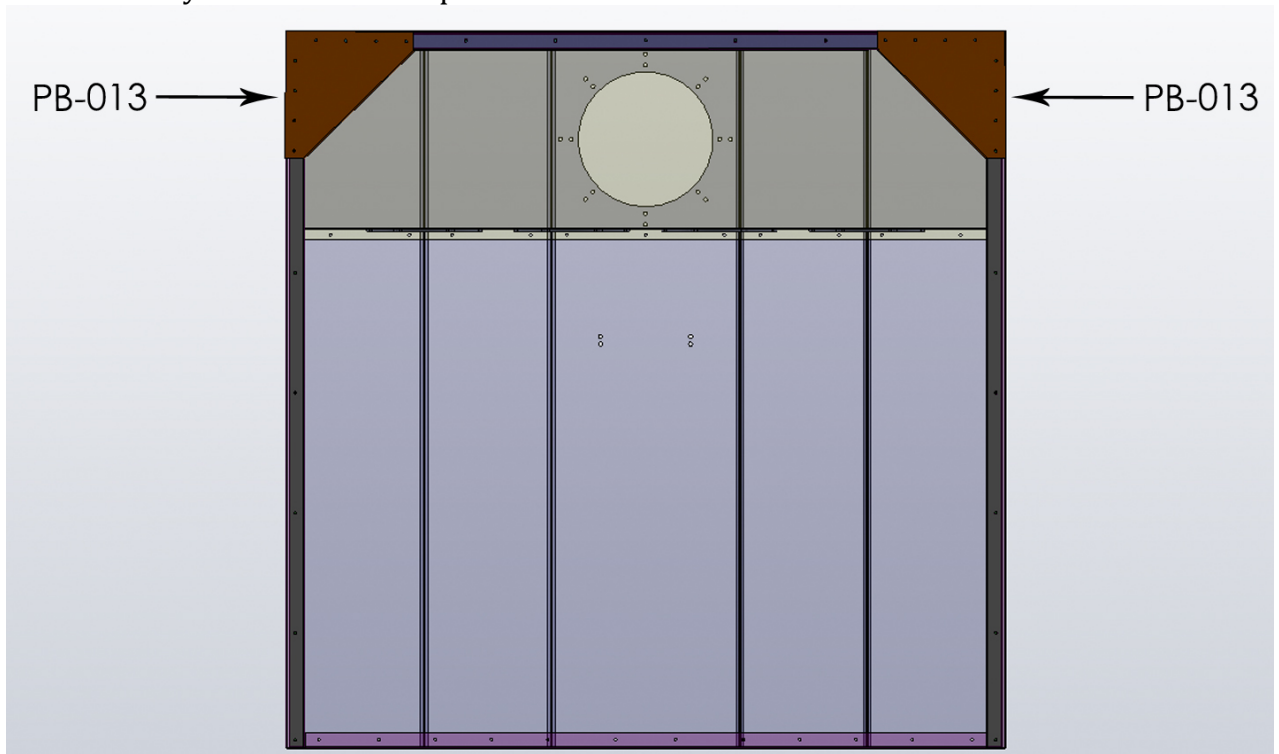
### STEP 11: INSTALLING THE FRONT CHANNEL

Attach the front left channel PB-011 to PB-105. Attach front right channel PB-010 to PB-103 and attach top channel PB-012 to PB-101.



### STEP 12: INSTALLING THE CORNER GUSSETS

Now, attach the corner gussets PB-013 to both the left and right corner of the front channel that you installed in step 11.

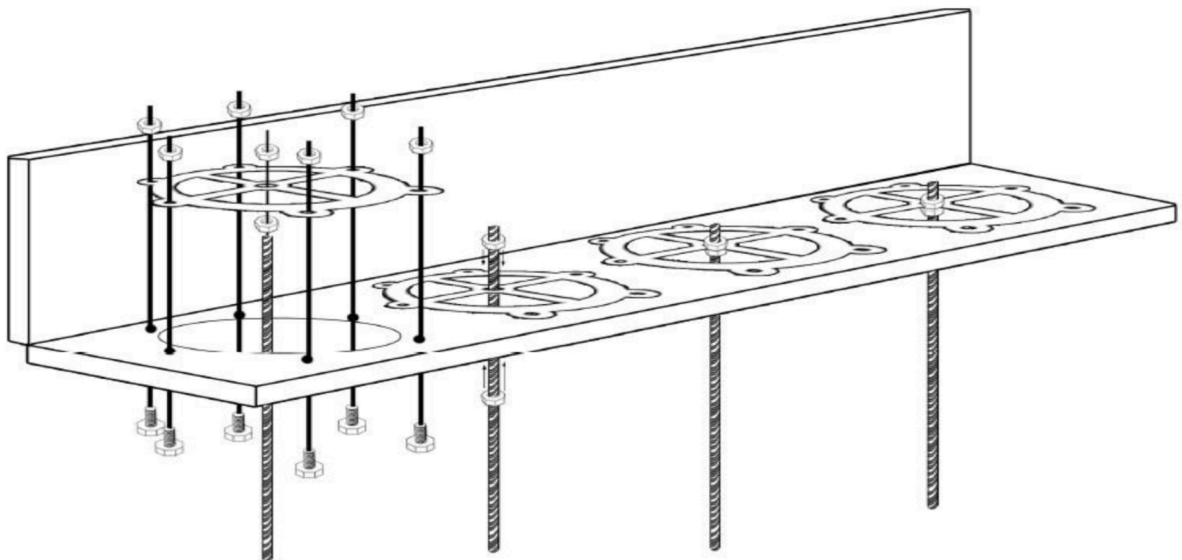
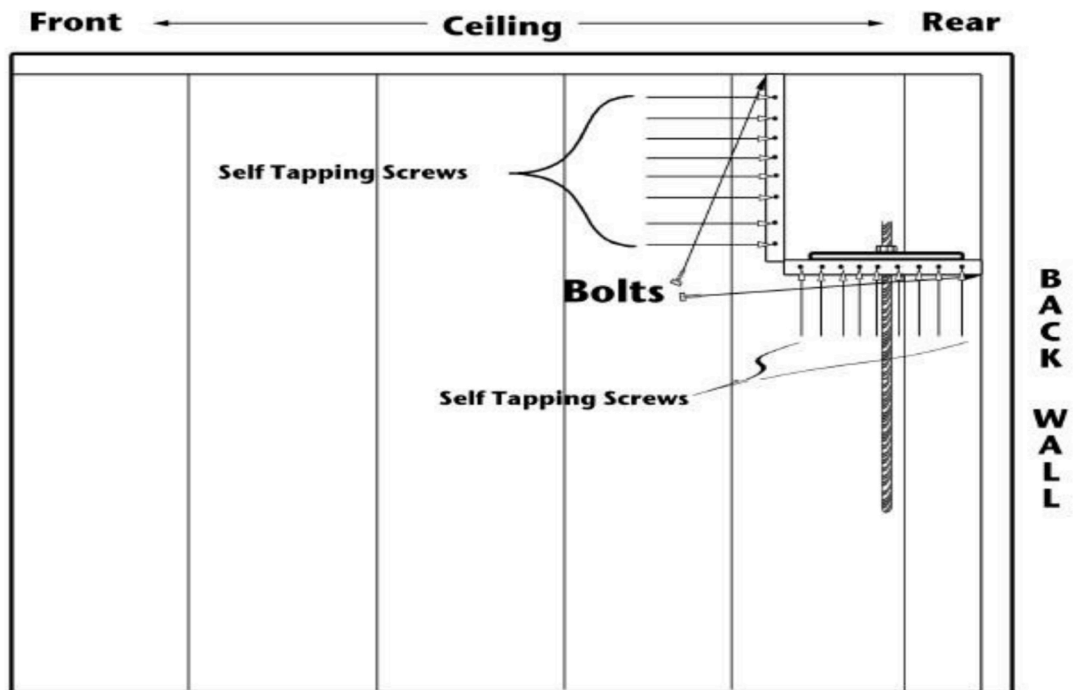


### STEP 13: INSTALLING THE FILTERS

Refer to the illustration on installing filter ring bolts to filter holder rings PB-024. Once ring bolts are installed and secured, screw on your filters.

*(NOTE: It is recommended that you silicone the air duct PB-212 from the inside using the blower hole in the back wall.)*

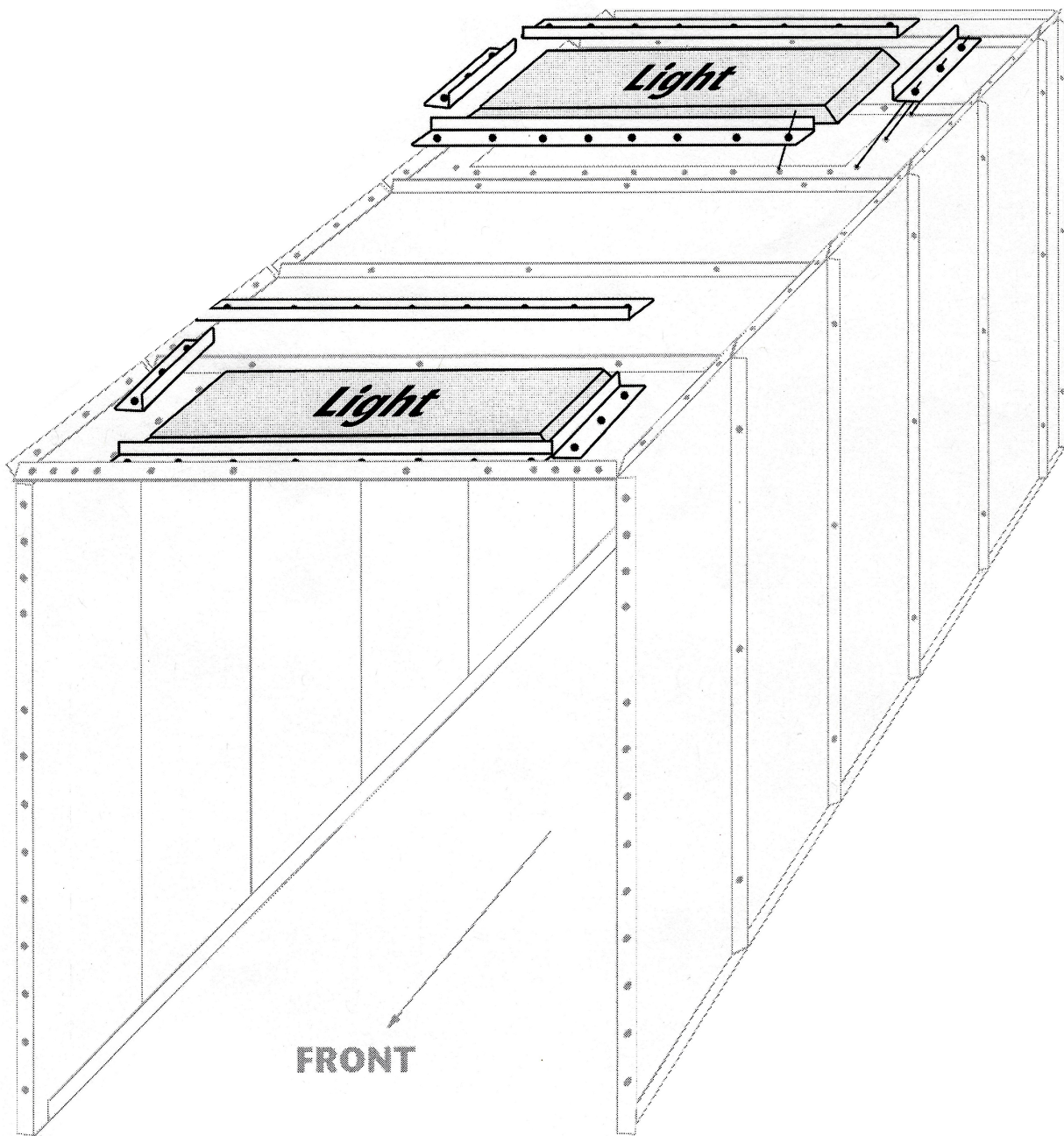
**Cutaway of booth (side view)**





## STEP 14: MOUNTING THE LIGHTS

Set both lights over the light cut-outs on the two (2) roof panels PB-101-1. Using the supplied light brackets, fasten the lights down securely on all four sides.



# COLUMBIA COATINGS POWDER BOOTH WIRING DIAGRAM

